

**F3055 HOMELITE  
STRAIGHT SHAFT TRIMMER  
MODEL NO. UT70129  
REPAIR SHEET**

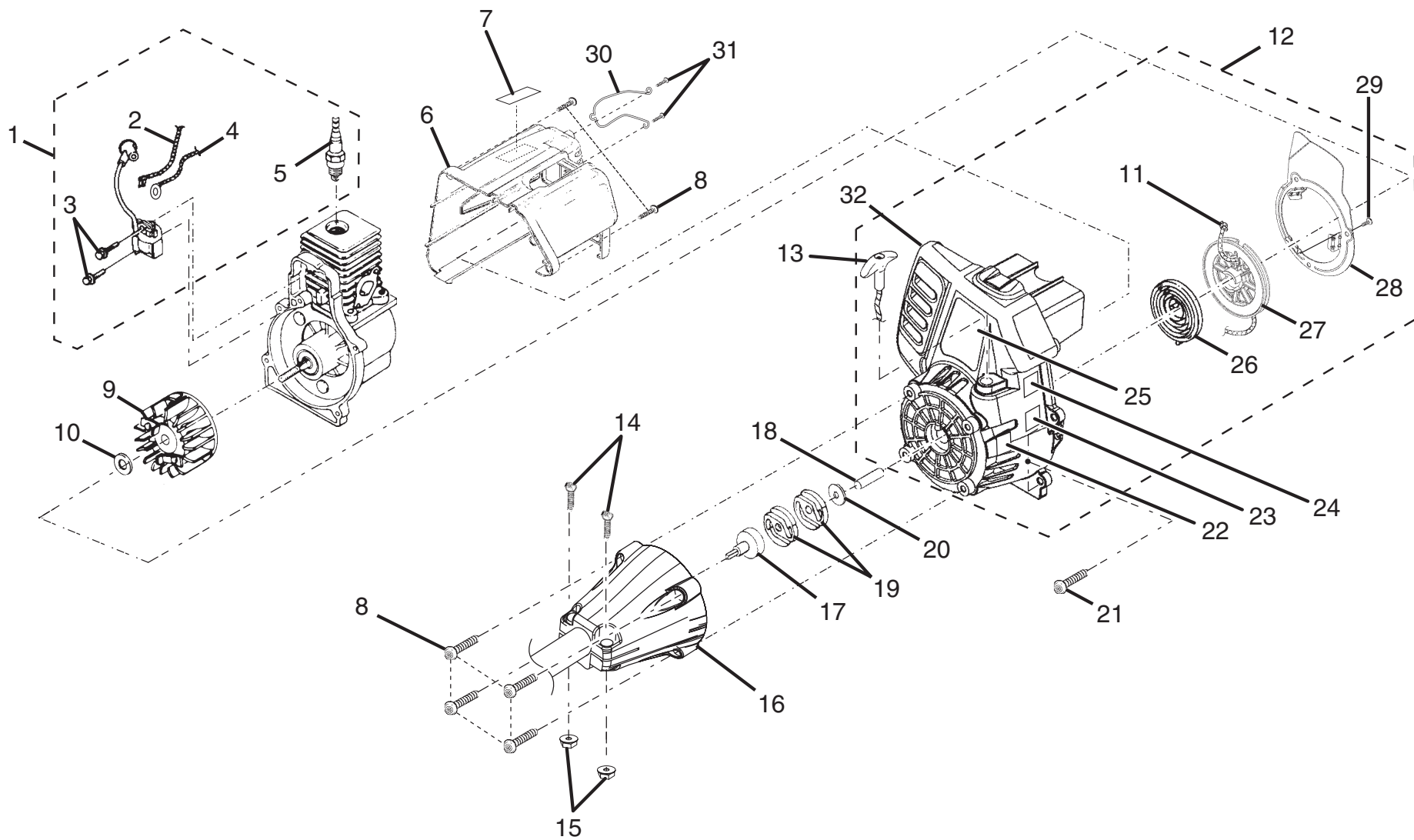
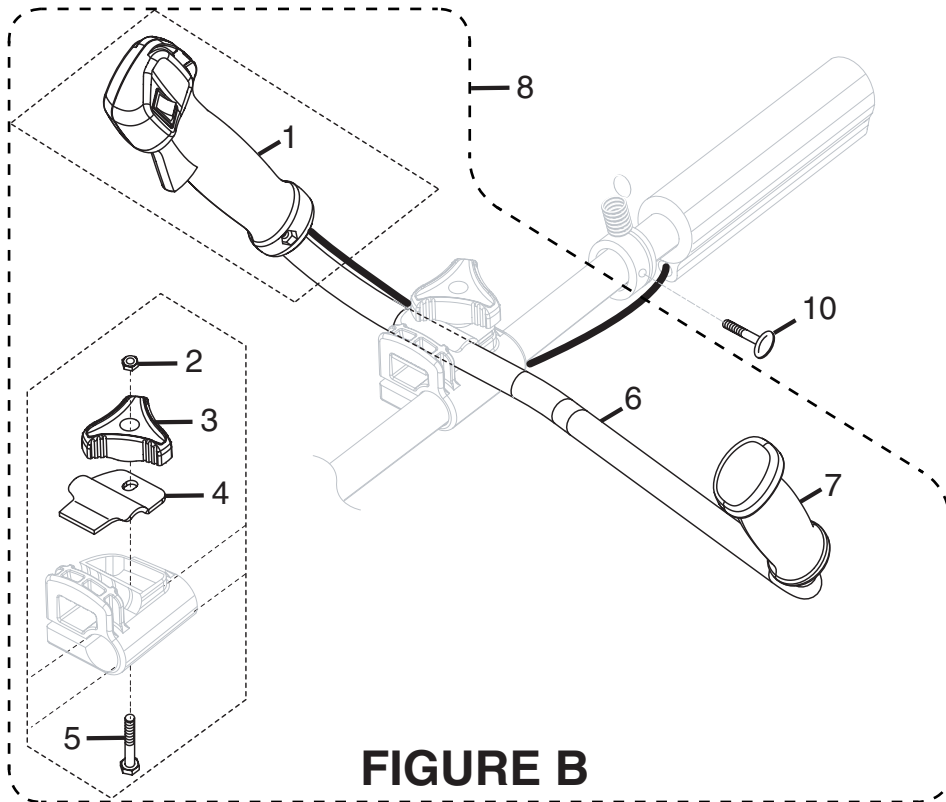


FIGURE A

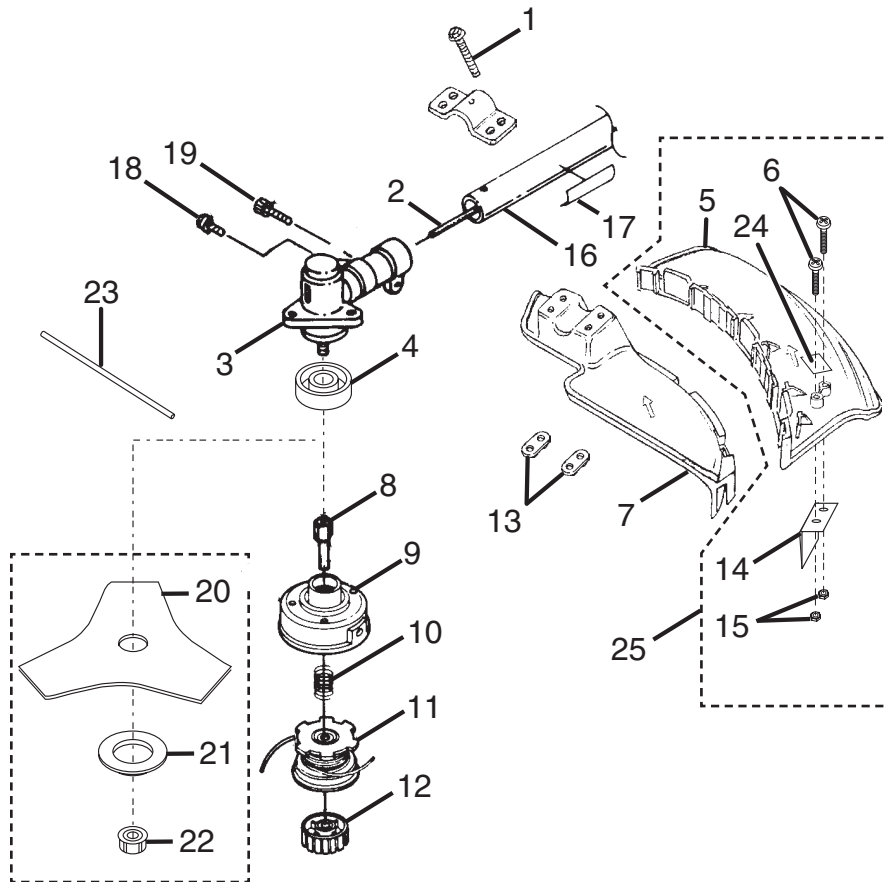
The model number will be found on a plate attached to the engine housing. Always mention the model number in all correspondence regarding your **STRING TRIMMER** or when ordering repair parts.

## PARTS LIST FOR FIGURE A

KEY NO.	PART NUMBER	DESCRIPTION	QTY.	KEY NO.	PART NUMBER	DESCRIPTION	QTY.
1	984520001	IGNITION KIT.....	1	17	PA01613	DRUM & CONNECTOR.....	1
2	A06963	ELECTRICAL LEAD.....	1	18	PS04300	SPACER.....	1
3	82540	SCREW.....	2	19	00242	CLUTCH DISK ( ST185 & ST385 ).....	2
4	A06964	ELECTRICAL LEAD.....	1	20	98929A	WASHER.....	1
5	PS02227	SPARK PLUG.....	1	21	82538	SCREW.....	4
6	984633001	REAR COVER ASSEMBLY.....	1	22	06976	DECAL, CE.....	1
7	PS00156	DECAL, HOMELITE.....	1	23	984287001	DECAL, 110 POWER SOUND.....	1
8	82563	SCREW.....	6	24	PS06261	DECAL, ZIP START.....	1
9	984521001	ROTOR AND PAWL ASSEMBLY.....	1	25	PS06297	DECAL, MODEL.....	1
10	95479A	WASHER, FLAT.....	1	26	A98773A	SPRING & CONTAINER.....	1
11	9789902	STARTER ROPE (42 in.).....	1	27	98770A	STARTER PULLEY.....	1
12	984576001	STARTER ASSEMBLY.....	1	28	PS06339	AIR BAFFEL PLATE.....	1
13	5946702	STARTER GRIP.....	1	29	82543	SCREW.....	3
14	82556	SCREW.....	2	30	PS00218	MUFFLER GUARD.....	1
15	81208	NUT.....	2	31	82541	SCREW.....	2
16	PS03542	NOSE CONE ADAPTER.....	1	32	PA00385	STARTER HOUSING & EYELET.....	1
				33	03646	TORX WRENCH (NOT SHOWN).....	1



**FIGURE B**



**FIGURE C**

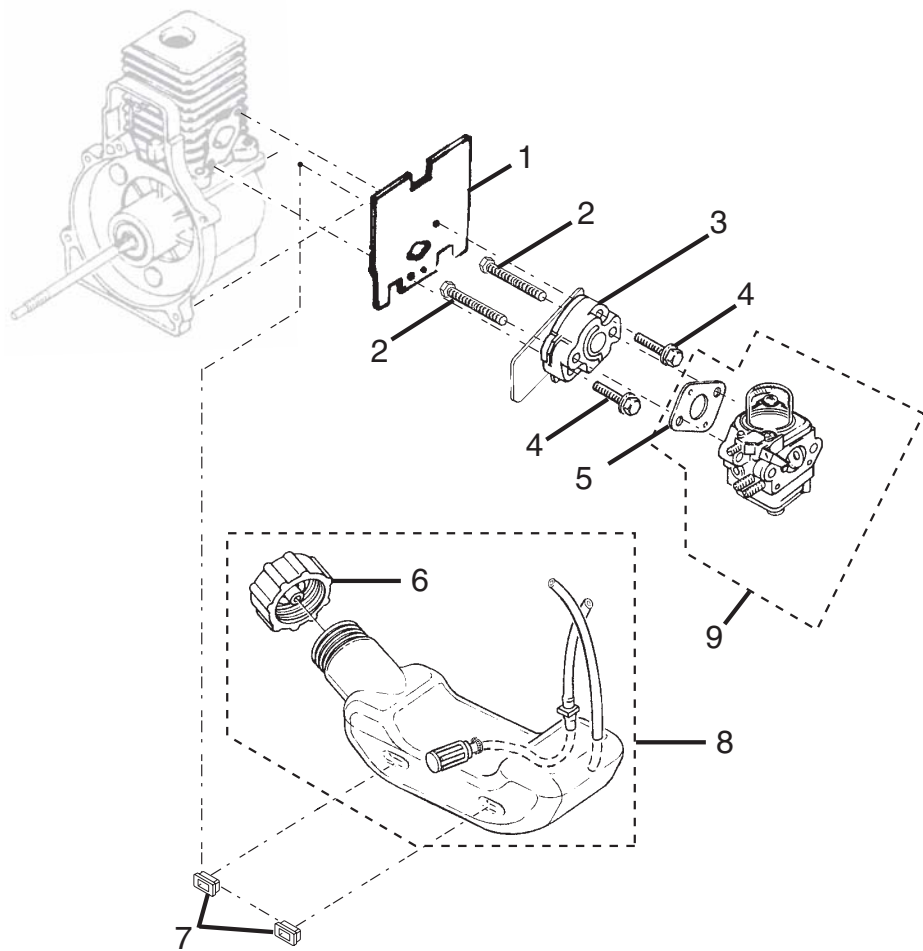
The model number will be found on a plate attached to the motor housing. Always mention the model number in all correspondence regarding your **STRING TRIMMER** or when ordering repair parts.

## PARTS LIST FOR FIGURE B

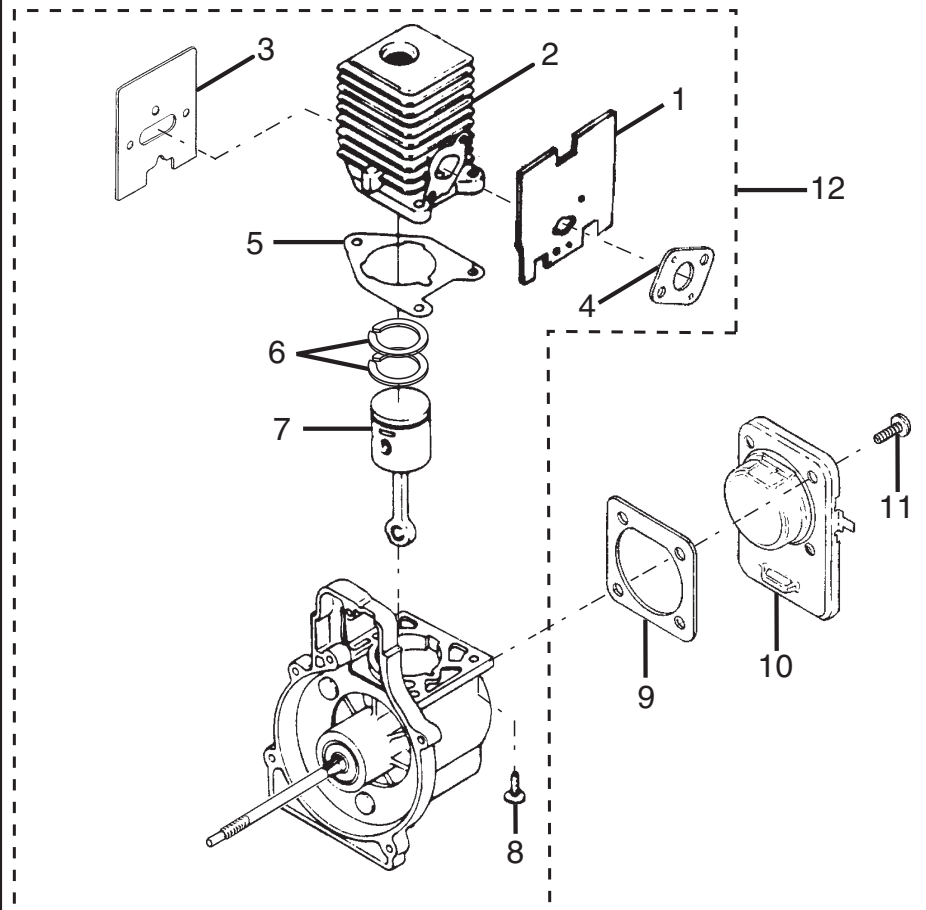
KEY NO.	PART NUMBER	DESCRIPTION	QTY.
1	984559001	CONTROL HANDLE ASSEMBLY .....	1
2	81162	NUT .....	1
3	PS05028	PLASTIC KNOB.....	1
4	PS03545	HANDLE BAR CLAMP .....	1
5	PS05035	BOLT .....	1
6	PS03631	HANDLEBAR.....	1
7	PS03543	ASSIST GRIP L/H.....	1
8	984557001	BIKE HANDLE ASSEMBLY .....	1
9	983989001	STRAP W/HIP PAD (NOT SHOWN).....	1
10	82260	THUMB SCREW.....	1

## PARTS LIST FOR FIGURE C

KEY NO.	PART NUMBER	DESCRIPTION	QTY.
1	PS01255	SCREW .....	4
2	PS02293	FLEXIBLE SHAFT .....	1
3	PA01364	GEAR CASE ASSEMBLY .....	1
4	041681A	FLANGED WASHER .....	1
5	08572	STRING SHIELD CCW.....	1
6	82531	SCREW (10 - 24 x 7/8).....	2
7	08573	BLADE GUARD CCW .....	1
8	9855141	ADAPTER SHAFT/1986 .....	1
9	A98231A	HOUSING AND EYELETS .....	1
10	06713	COMPRESSION SPRING .....	1
11	PA01347A	SPOOL AND STRING (.95).....	1
12	PA01271	SPOOL RETAINER (L/H THREAD) .....	1
13	A08139	MOUNTING PLATE .....	2
14	07076	CUT OFF BLADE .....	1
15	81261	HEX NUT .....	2
16	984662001	D.S. HOUSING FOR BIKE HANDLE .....	1
17	PS06337	WARNING DECAL.....	1
18	PS04673	SCREW (10-24 x .625 TAPTIT) .....	1
19	PS04680	SCREW (1/4 - 20 x 1.25 TAP).....	1
20	984227001	TRI-ARC BLADE .....	1
21	04409	CUPPED WASHER .....	1
22	04277	LOCK NUT.....	1
23	00063	HOLDING PIN .....	1
24	09197	WARNING LABEL .....	1
25	984554001	STRING SHIELD ASSEMBLY .....	1



**FIGURE D**



**FIGURE E**

The model number will be found on a plate attached to the motor housing. Always mention the model number in all correspondence regarding your **STRING TRIMMER** or when ordering repair parts.

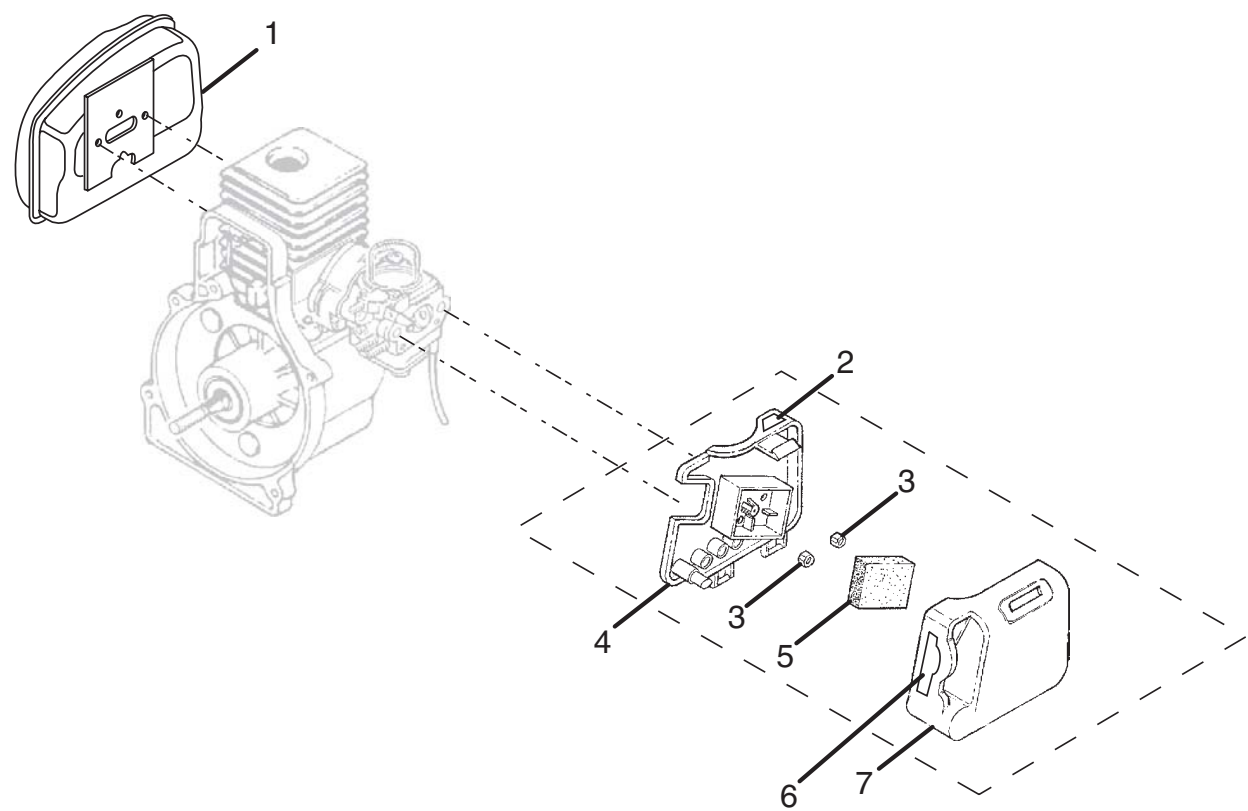
## PARTS LIST FOR FIGURE D

KEY NO.	PART NUMBER	DESCRIPTION	QTY.
1	06900A	HEAT DAM GASKET .....	1
2	04474	CARBURETOR BOLT .....	2
3	98768A	HEAT DAM .....	1
4	093221	PAN HEAD SEMS SCREW .....	2
5	98766A	CARBURETOR GASKET .....	1
6	A09115	FUEL CAP .....	1
7	98792	BUMPER .....	3
8	984550001	* FUEL TANK ASSEMBLY .....	1
9	984549001	CARBURETOR ASSEMBLY KIT .....	1

## PARTS LIST FOR FIGURE E

KEY NO.	PART NUMBER	DESCRIPTION	QTY.
1	06900A	HEAT DAM GASKET .....	1
2	PS02128	CYLINDER .....	1
3	PS04000	MUFFLER GASKET .....	1
4	98766A	CARBURETOR GASKET .....	1
5	04388B	CYLINDER GASKET .....	1
6	PS03498	PISTON RING ( 1-5/16 in.) .....	2
7	984543001	PISTON ASSEMBLY KIT .....	1
8	PS02807	SCREW (12-24 x .660 PAN TORX) .....	3
9	06443A	GASKET COVER, C/C .....	1
10	PS02130	CRANKCASE COVER .....	1
11	PS01565	PAN HEAD SCREW .....	4
12	984546001	SHORT BLOCK ASSEMBLY .....	1

\* WHEN ORDERING FUEL TANK ASSEMBLY (ITEM NUMBER 8), ALSO ORDER BUMPERS (ITEM NUMBER 7)



## PARTS LIST

KEY NO.	PART NUMBER	DESCRIPTION	QTY.
1	PA01073	MUFFLER ASSEMBLY.....	1
2	PS02788	PRIMER DECAL.....	1
3	81208	LOCK NUT (10-24).....	2
4	PS02113	BOX AIR FILTER (CONEHEAD) .....	1
5	98760	AIR FILTER.....	1
6	PS02523	CHOKE DECAL.....	1
7	PS02309	AIR BOX COVER.....	1
8	06502	SPARK SCREEN (NOT SHOWN) .....	1
	983000207	OPERATOR'S MANUAL.....	1

5-03